

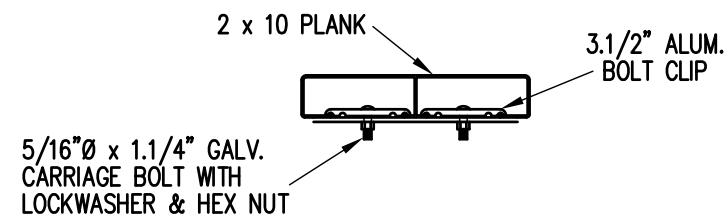
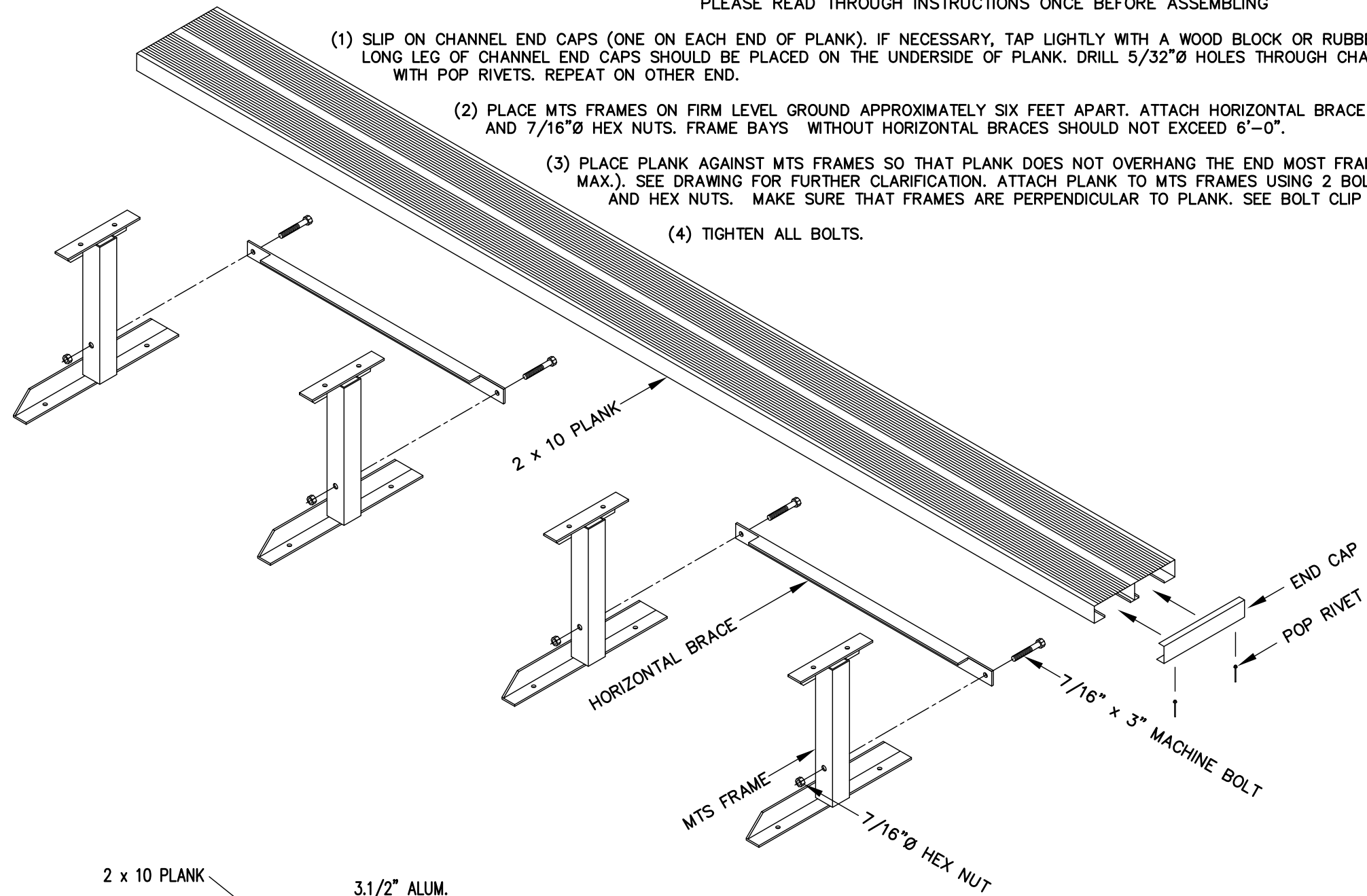
PLEASE READ THROUGH INSTRUCTIONS ONCE BEFORE ASSEMBLING

(1) SLIP ON CHANNEL END CAPS (ONE ON EACH END OF PLANK). IF NECESSARY, TAP LIGHTLY WITH A WOOD BLOCK OR RUBBER MALLET. TAP ONLY ON THE CORNERS OF THE CHANNEL END CAPS. LONG LEG OF CHANNEL END CAPS SHOULD BE PLACED ON THE UNDERSIDE OF PLANK. DRILL  $5/32"$  HOLES THROUGH CHANNEL END CAPS AND PLANK AS SHOWN ON DRAWING AND ATTACH WITH POP RIVETS. REPEAT ON OTHER END.

(2) PLACE MTS FRAMES ON FIRM LEVEL GROUND APPROXIMATELY SIX FEET APART. ATTACH HORIZONTAL BRACE TO FRAMES AS SHOWN ON DRAWING WITH  $7/16"$  x 3" MACHINE BOLTS AND  $7/16"$  HEX NUTS. FRAME BAYS WITHOUT HORIZONTAL BRACES SHOULD NOT EXCEED 6'-0".


(3) PLACE PLANK AGAINST MTS FRAMES SO THAT PLANK DOES NOT OVERHANG THE END MOST FRAMES MORE THAN 1'-6" (3" MIN. TO 1'-6" MAX.). SEE DRAWING FOR FURTHER CLARIFICATION. ATTACH PLANK TO MTS FRAMES USING 2 BOLT CLIPS,  $5/16"$  x  $1.1/4"$  CARRIAGE BOLTS, LOCK WASHERS, AND HEX NUTS. MAKE SURE THAT FRAMES ARE PERPENDICULAR TO PLANK. SEE BOLT CLIP DETAIL.

(4) TIGHTEN ALL BOLTS.



**BOLT CLIP DETAIL**

1.1/2" = 1'-0"

		<b>Outdoor Aluminum</b>		P.O. BOX 118 GENEVA, ALABAMA 36340 334-684-2296	
SCALE	N.T.S.	REVISIONS		BY	DATE
DATE	11/20/00	REDRAWN		WHW	02/13/09
DR'N	CHM	CKD			
AP'VD					
TITLE				NO.	
MTS BENCH				300-E1	