

PLEASE READ THROUGH INSTRUCTIONS ONCE BEFORE ASSEMBLING

(1) SLIP ON CHANNEL END CAPS (ONE ON EACH END OF PLANK). IF NECESSARY, TAP LIGHTLY WITH A WOOD BLOCK OR RUBBER Mallet. TAP ONLY ON THE CORNERS OF THE CHANNEL END CAPS. LONG LEG OF CHANNEL END CAPS SHOULD BE PLACED ON THE UNDERSIDE OF PLANK. DRILL $5/32"$ HOLES THROUGH CHANNEL END CAPS AND PLANK AS SHOWN ON DRAWING AND ATTACH WITH POP RIVETS. REPEAT ON OTHER END.

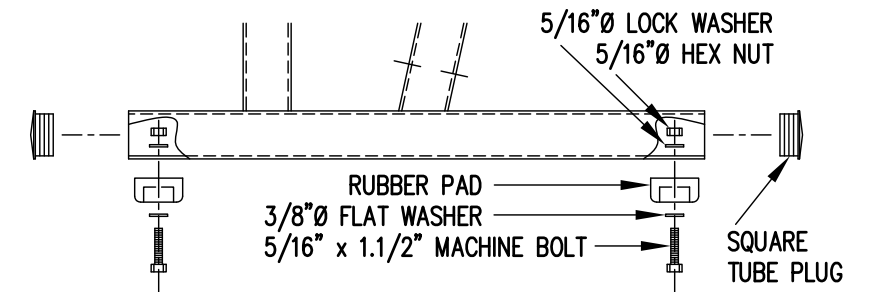
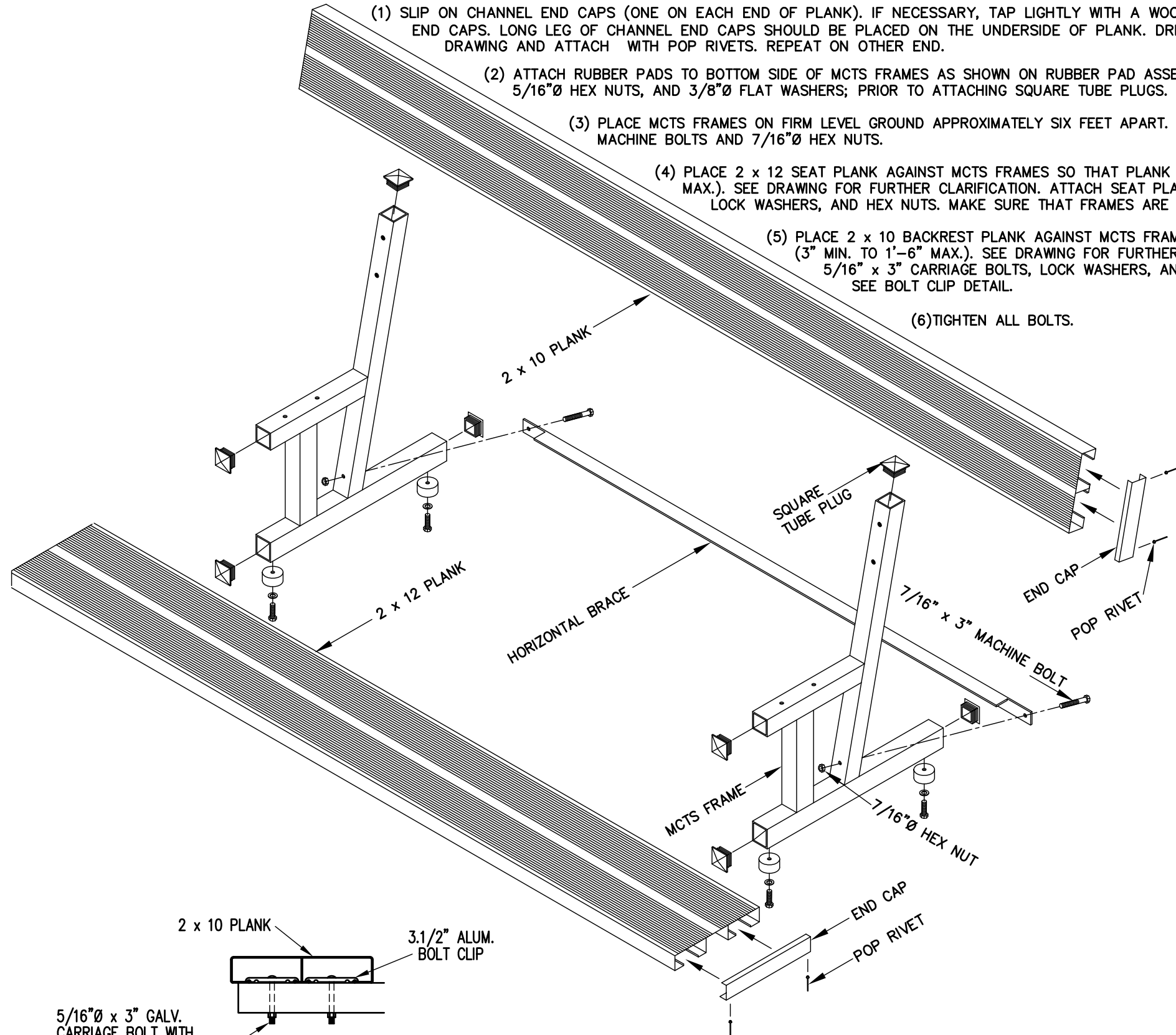
(2) ATTACH RUBBER PADS TO BOTTOM SIDE OF MCTS FRAMES AS SHOWN ON RUBBER PAD ASSEMBLY WITH $5/16"$ x $1.1/2"$ MACHINE BOLTS, $5/16"$ LOCK WASHERS, $5/16"$ HEX NUTS, AND $3/8"$ FLAT WASHERS; PRIOR TO ATTACHING SQUARE TUBE PLUGS.

(3) PLACE MCTS FRAMES ON FIRM LEVEL GROUND APPROXIMATELY SIX FEET APART. ATTACH HORIZONTAL BRACE TO FRAMES AS SHOWN ON DRAWING WITH $7/16"$ x $3"$ MACHINE BOLTS AND $7/16"$ HEX NUTS.

(4) PLACE 2 x 12 SEAT PLANK AGAINST MCTS FRAMES SO THAT PLANK DOES NOT OVERHANG THE END MOST FRAMES MORE THAN 1'-6" (3" MIN. TO 1'-6" MAX.). SEE DRAWING FOR FURTHER CLARIFICATION. ATTACH SEAT PLANK TO MCTS FRAMES USING 2 BOLT CLIPS, $5/16"$ x 3" CARRIAGE BOLTS, LOCK WASHERS, AND HEX NUTS. MAKE SURE THAT FRAMES ARE PERPENDICULAR TO SEAT PLANK. SEE BOLT CLIP DETAIL.

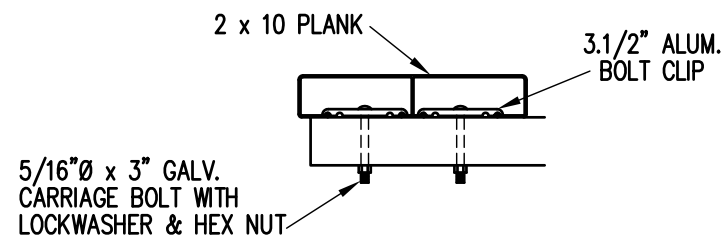
(5) PLACE 2 x 10 BACKREST PLANK AGAINST MCTS FRAMES SO THAT PLANK DOES NOT OVERHANG THE END MOST FRAMES MORE THAN 1'-6" (3" MIN. TO 1'-6" MAX.). SEE DRAWING FOR FURTHER CLARIFICATION. ATTACH BACKREST PLANK TO MCTS FRAMES USING 2 BOLT CLIPS, $5/16"$ x 3" CARRIAGE BOLTS, LOCK WASHERS, AND HEX NUTS. MAKE SURE THAT FRAMES ARE PERPENDICULAR TO BACKREST PLANK. SEE BOLT CLIP DETAIL.

(6) TIGHTEN ALL BOLTS.



RUBBER PAD ASSEMBLY

ATTACH RUBBER PADS PRIOR TO ATTACHING SQUARE TUBE PLUGS



BOLT CLIP DETAIL

1.1/2" = 1'-0"

		P.O. BOX 118 GENEVA, ALABAMA 36340 334-684-2296			
		SCALE N.T.S.	REVISIONS	BY	DATE
DATE	02/13/09				
DR'N	WJW	CKD			
AP'VD					
TITLE				NO.	
MCTS BENCH W/RUBBER PADS				300-E161	