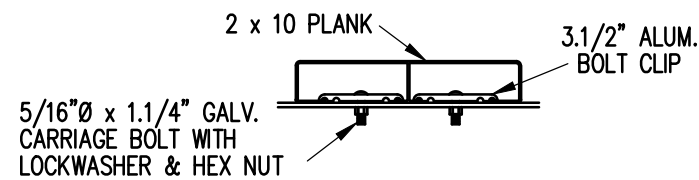


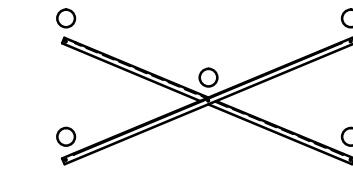
SEAT & FRAMING PLAN

1/4" = 1'-0"
20 NET SEATS @ 18" PER SEAT



BOLT CLIP DETAIL

1.1/2" = 1'-0"



X-BRACE DETAIL

N.T.S.

○ 7/16" X 1" GALV. MACH. BOLT

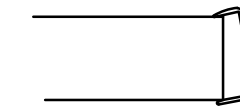


FIG.1

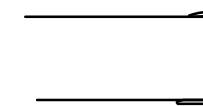
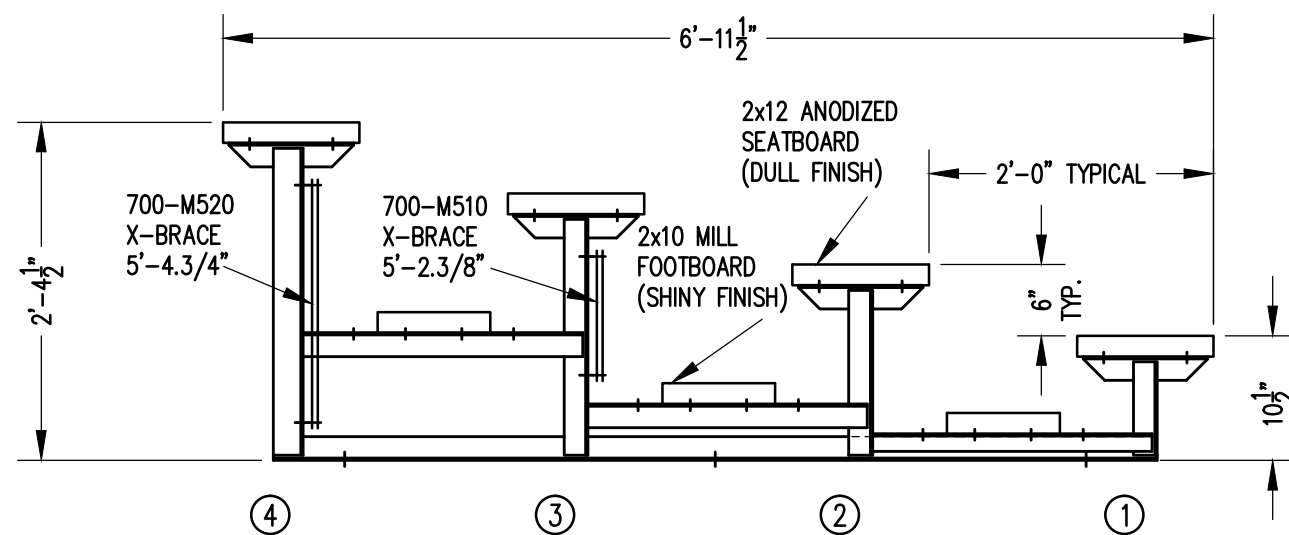


FIG.2

- 1) LOCATE THE CHANNEL END CAP AS SHOWN IN FIG. 1.
- 2) TAP END CAP INTO PLACE WITH RUBBER Mallet OR SOFT WOOD. FIG.2
- 3) DRILL 5/32" HOLES THROUGH THE BOTTOM FLANGE AND THE BOTTOM OUTSIDE PLANK FLANGES OF EACH PLANK. INSTALL 5/32" POP RIVETS.

END CAP DETAIL

N.T.S.



SECTION AA

3/4" = 1'-0"



Outdoor Aluminum

P.O. BOX 118
GENEVA, ALABAMA 36340
334-684-2296

| | | | | |
|-------|---------------------------------|-----------|----|-------------------------|
| SCALE | AS NOTED | REVISIONS | BY | DATE |
| DATE | 11/2/11 | | | |
| DR'N | CDK | CKD | | |
| AP'VD | | | | |
| TITLE | LDLW 4-7.5 SEATING/FRAMING PLAN | | | NO. 764-E1066 |