

SEATING PLAN

3/16" = 1'-0"

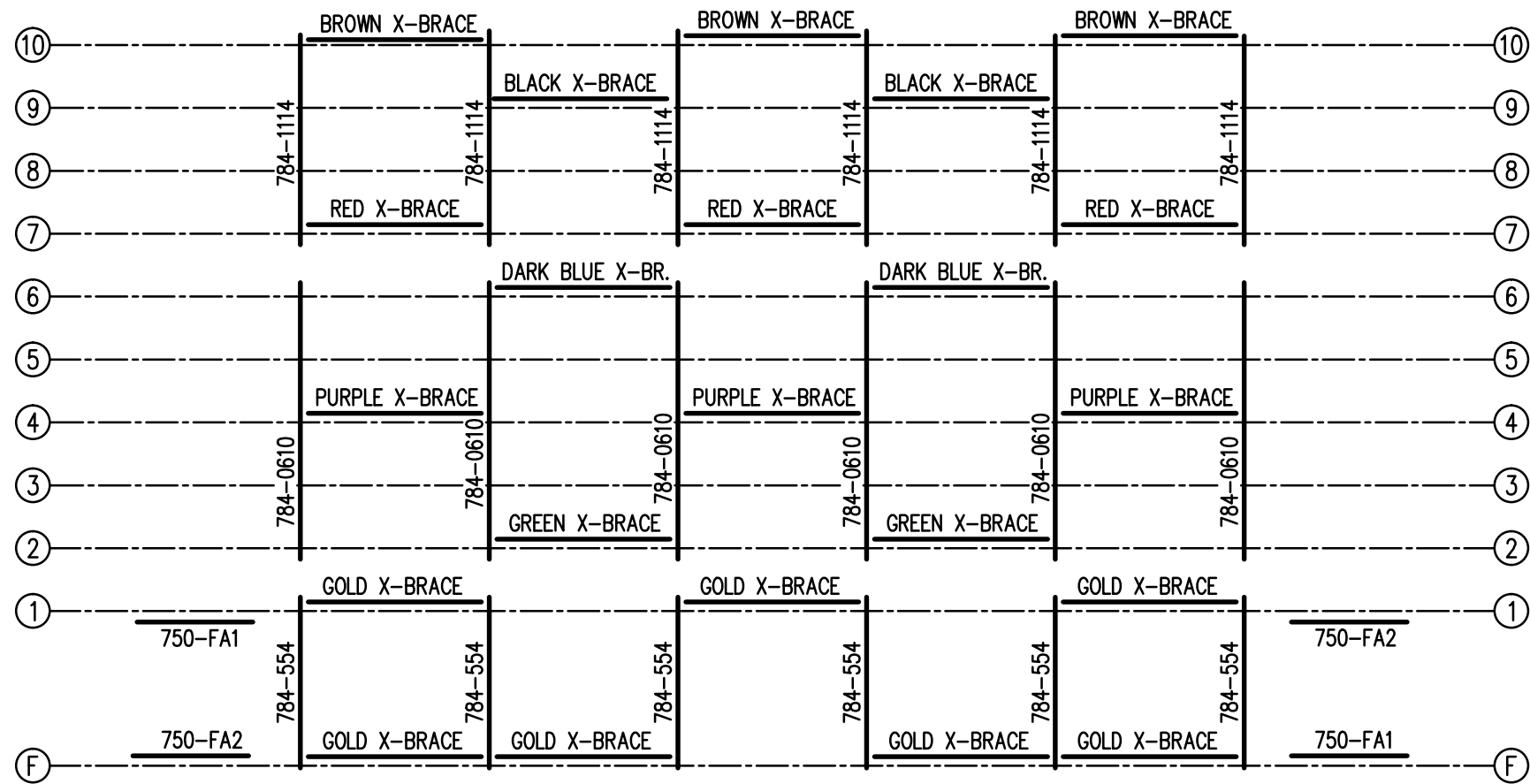
184 NET SEATS @ 18" PER SEAT



**Outdoor
Aluminum**

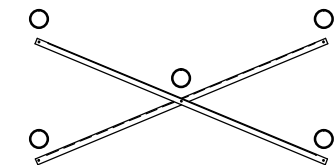
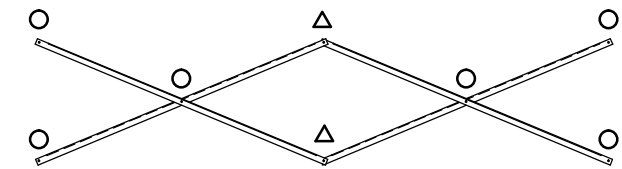
P.O. BOX 118
GENEVA, ALABAMA 36340
334-684-2296

SCALE	3/16"=1'-0"	REVISIONS	BY	DATE
DATE	11/2/11			
DR'N	CDK	CKD		
AP'VD				
TITLE	DLWE 10-33 SEATING PLAN		NO.	784-E2216



FRAMING PLAN

3/16" = 1'-0"

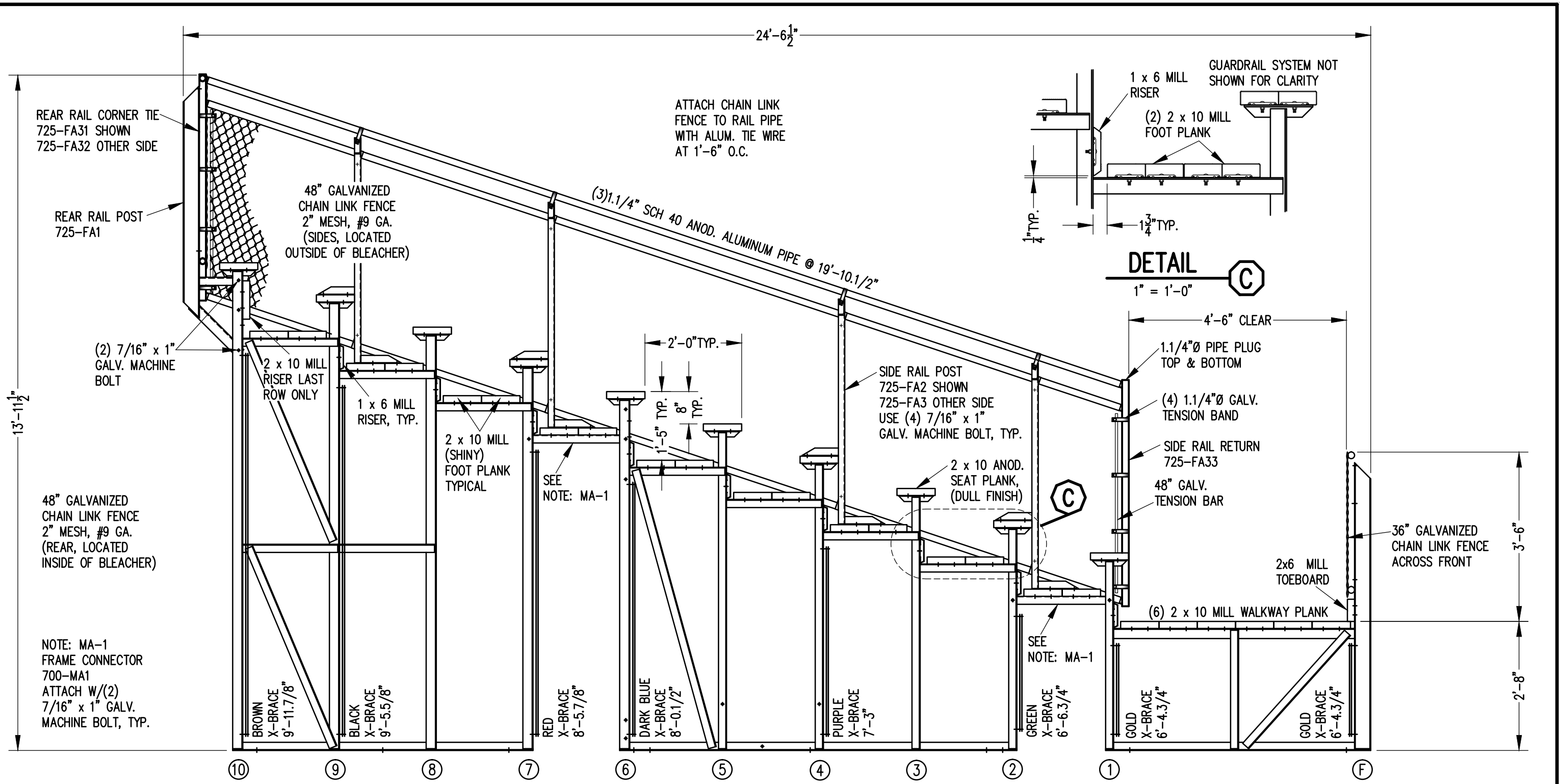


X-BRACE DETAIL

N.T.S.


- 7/16" X 1" GALV. MACH. BOLT
- △ 7/16" X 1.1/2" GALV. MACH. BOLT

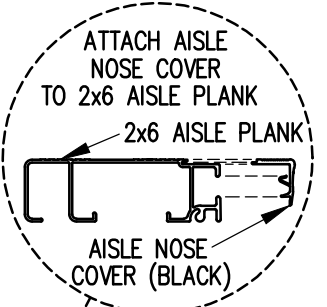
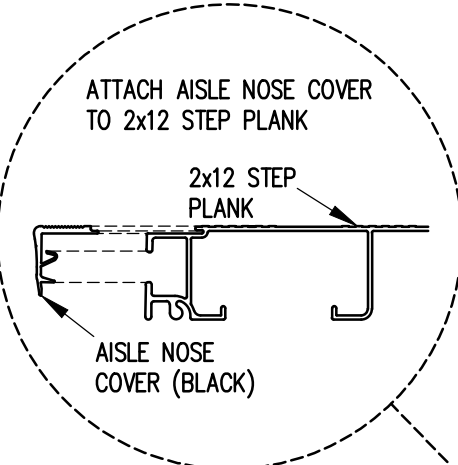
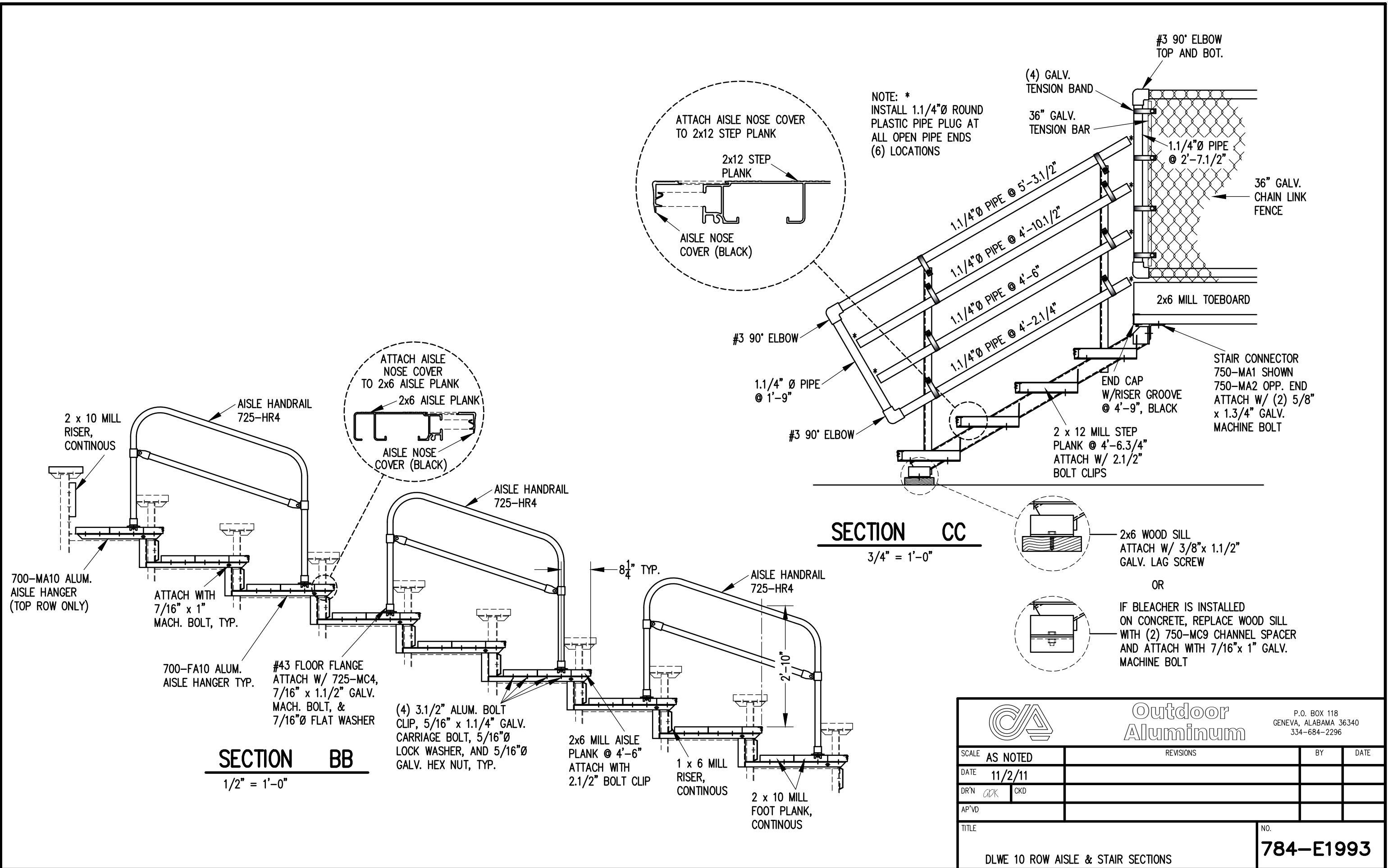
		Outdoor Aluminum P.O. BOX 118 GENEVA, ALABAMA 36340 334-684-2296	
DATE 11/2/11			
DR'N <i>CDK</i>	CKD		
AP'VD			
TITLE			NO.
DLWE 10-33 FRAMING PLAN			784-E2266



SECTION AA

1/2" = 1'-0"

		Outdoor Aluminum P.O. BOX 118 GENEVA, ALABAMA 36340 334-684-2296	
DATE 11/2/11			
DR'N CDK CKD			
AP'VD			
TITLE			NO.
DLWE 10 ROW SECTION			784-E2221



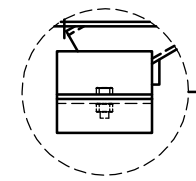
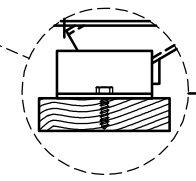
NOTE: *
INSTALL 1.1/4" Ø ROUND
PLASTIC PIPE PLUG AT
ALL OPEN PIPE ENDS
(6) LOCATIONS

SECTION CC

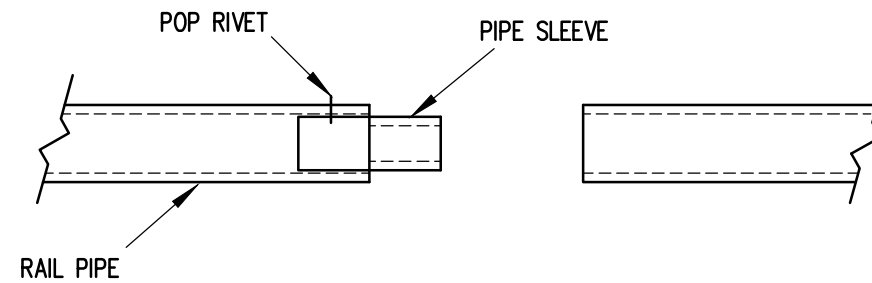
3/4" = 1'-0"

SECTION BB

1/2" = 1'-0"



		P.O. BOX 118 GENEVA, ALABAMA 36340 334-684-2296				
		SCALE	AS NOTED	REVISIONS	BY	DATE
DATE	11/2/11					
DR'N	CDK	CKD				
AP'VD						
TITLE	DLWE 10 ROW AISLE & STAIR SECTIONS			NO.	784-E1993	

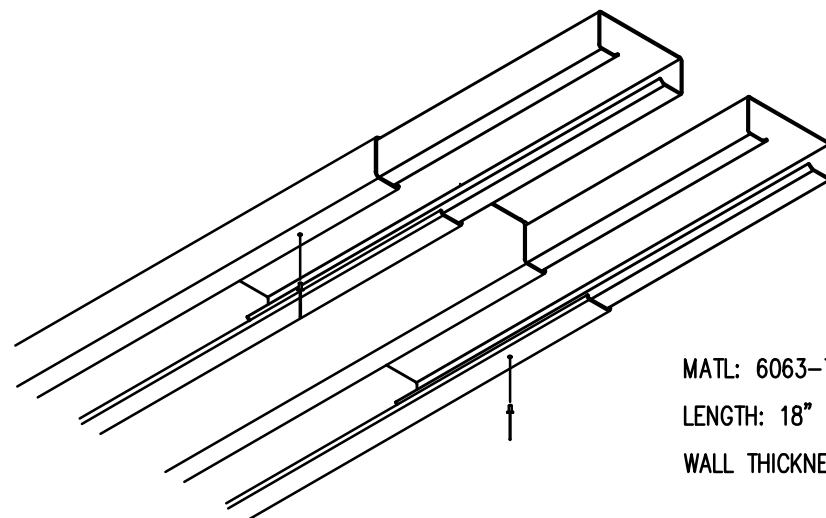


PIPE SLEEVE ASSEMBLY

1.1/2" = 1' 0"

- 1) INSERT PIPE SLEEVE APPROXIMATELY HALFWAY INTO THE RAIL PIPE. FASTEN PIPE SLEEVE WITH (1) ALUMINUM POP RIVET (5/32" X 5/8")
- 2) SLIDE THE END OF THE ADJOINING RAILPIPE OVER THE PIPE SLEEVE UNTIL THE TWO RAILS ARE FLUSH.

NOTE: PIPE SLEEVES SHOULD BE ATTACHED ON ONLY ONE END TO ALLOW FOR EXPANSION.




MATL: 6063-T6 ALUMN.
 LENGTH: 18"
 WALL THICKNESS: .062"

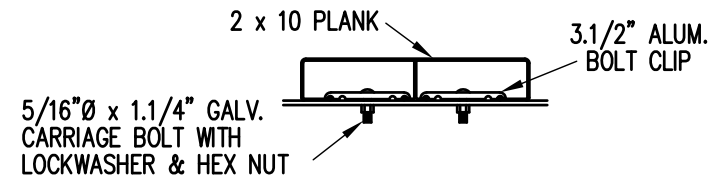
PLANK SPLICE SLEEVE ASSEMBLY

(TYP. @ ALL PLANK SPLICES)

- 1) INSERT SLEEVES APPROXIMATELY HALFWAY INTO THE PLANK WITH THE ENDS STAGGERED ABOUT 1/2". FASTEN SLEEVE WITH (1) ALUMINUM POP RIVET.
- 2) SLIDE THE END OF THE ADJOINING PLANK OVER THE SLEEVES UNTIL THE TWO PLANKS ARE SNUG.

NOTE: SLEEVES SHOULD BE ATTACHED ON ONLY ONE END TO ALLOW FOR EXPANSION.

		Outdoor Aluminum <small>P.O. BOX 118 GENEVA, ALABAMA 36340 334-684-2296</small>	
DATE 11/2/11			
DR'N <i>CDK</i>	CKD		
AP'VD			
TITLE SPLICE SLEEVE ASSEMBLY			NO. 784-E1994



BOLT CLIP DETAIL

1.1/2" = 1'-0"



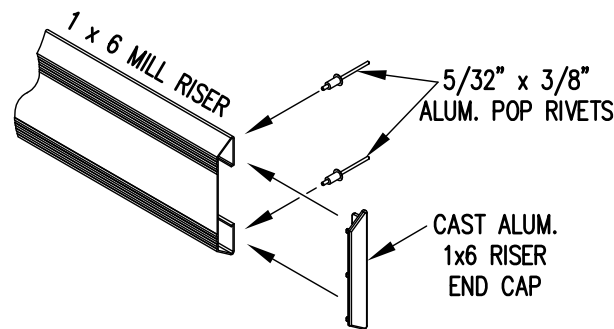
FIG.1

FIG.2

- 1) LOCATE THE CHANNEL END CAP AS SHOWN IN FIG. 1.
- 2) TAP END CAP INTO PLACE WITH RUBBER Mallet OR SOFT WOOD. FIG.2
- 3) DRILL 5/32" HOLES THROUGH THE BOTTOM FLANGE AND THE BOTTOM OUTSIDE PLANK FLANGES OF EACH PLANK. INSTALL 5/32" POP RIVETS.

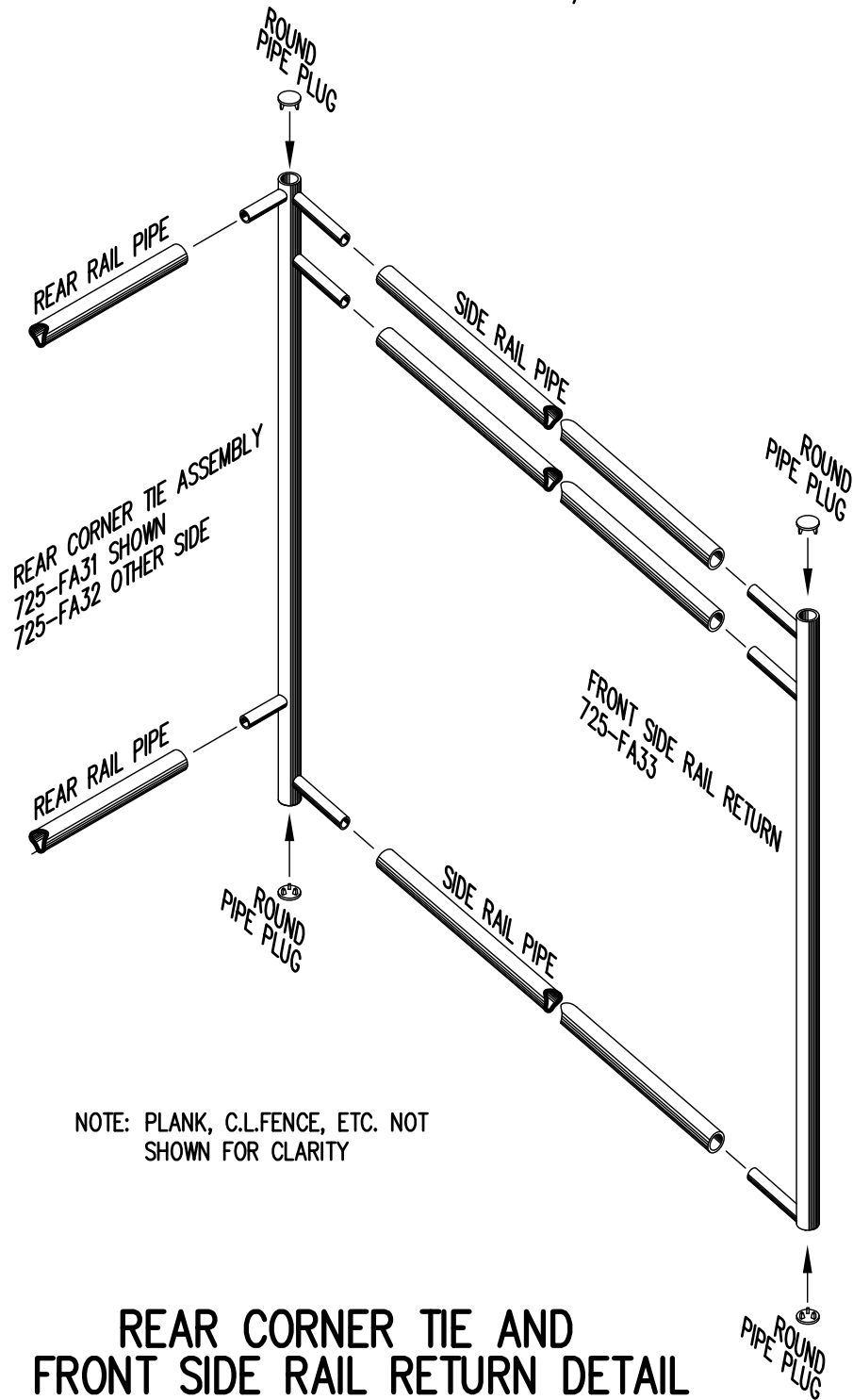
END CAP DETAIL

N.T.S.



1 x 6 RISER END CAP

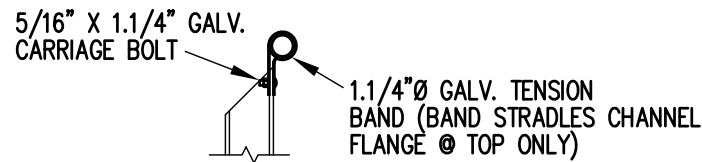
N.T.S.



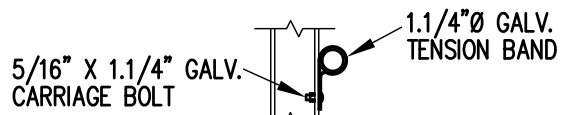
REAR CORNER TIE AND FRONT SIDE RAIL RETURN DETAIL

3/4" = 1'-0"

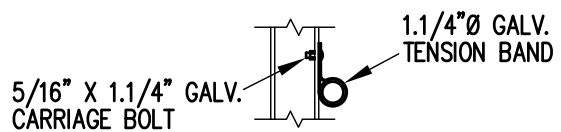
NOTE: PLANK, C.L.FENCE, ETC. NOT SHOWN FOR CLARITY



TOP RAIL

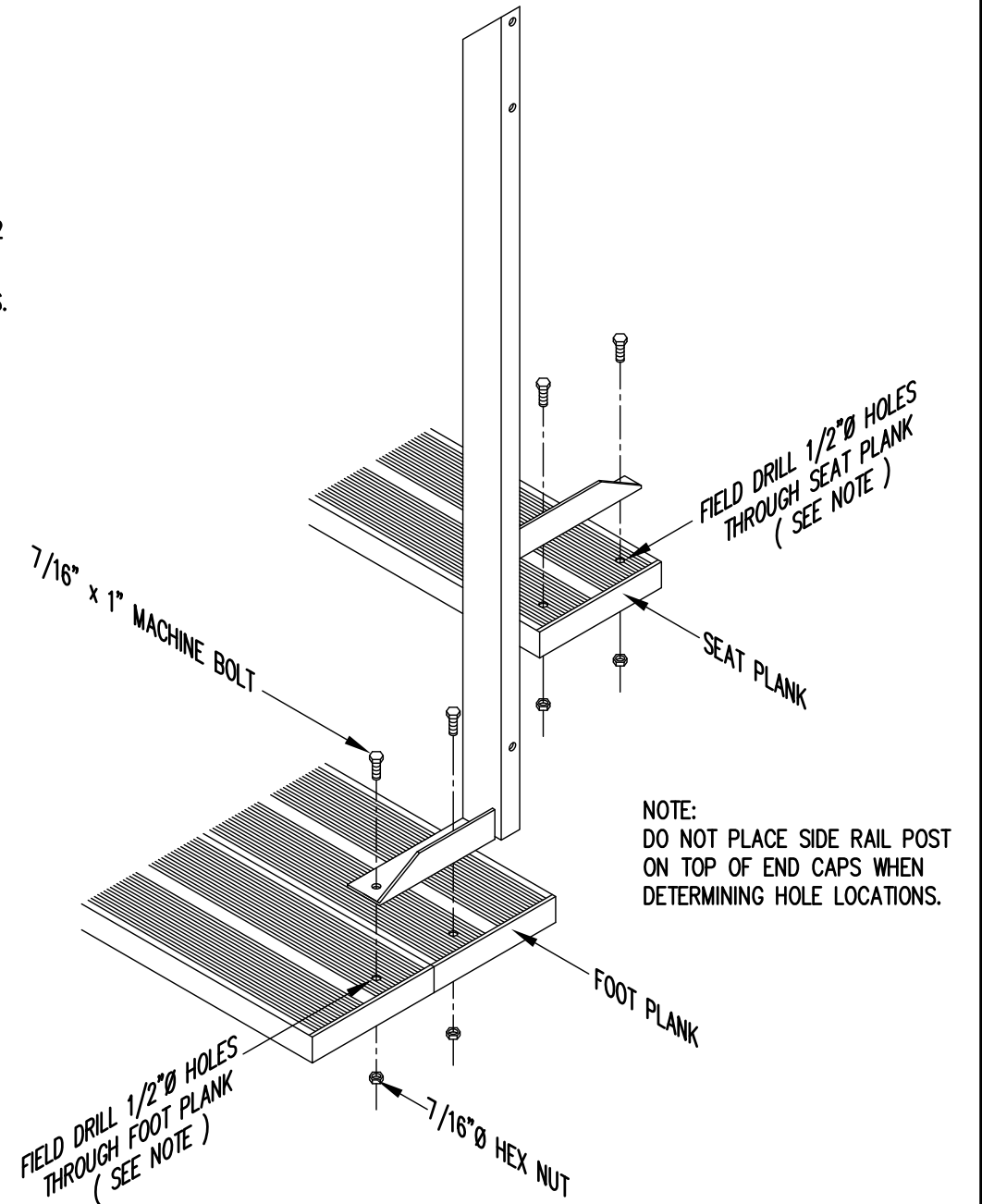


2ND RAIL



BOTTOM RAIL

RAIL PIPE ATTACHMENT



TYP. SIDE RAIL POST ATTACHMENT

1" = 1'-0"

NOTE: DO NOT PLACE SIDE RAIL POST ON TOP OF END CAPS WHEN DETERMINING HOLE LOCATIONS.

		P.O. BOX 118 GENEVA, ALABAMA 36340 334-684-2296		
		SCALE	AS NOTED	REVISIONS
DATE	11/2/11			
DR'N	ADK	CKD		
AP'VD				
TITLE			NO.	
TYPICAL DETAILS			784-E1990	